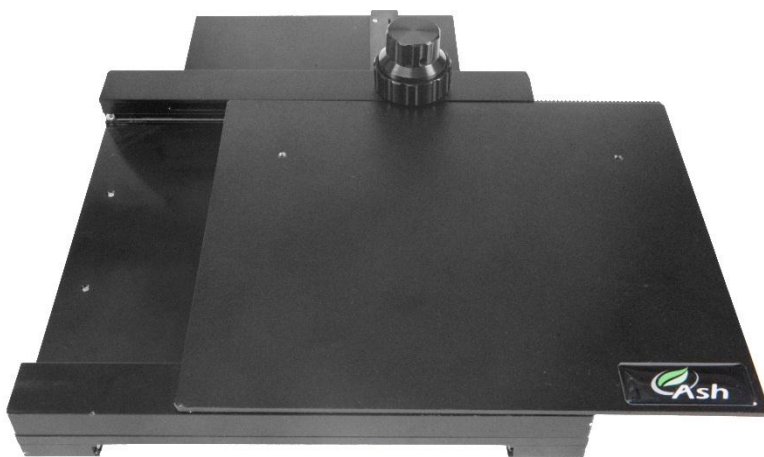
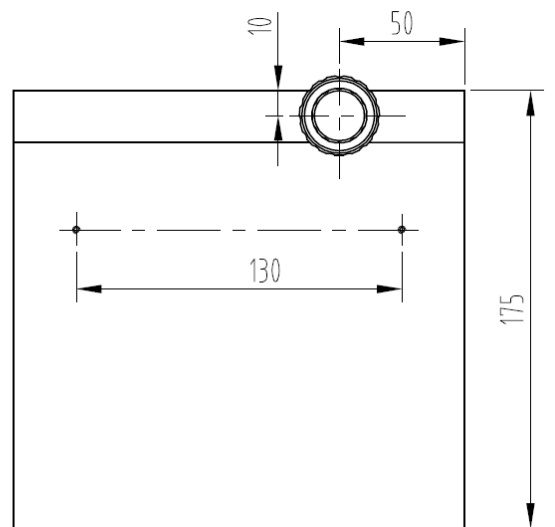
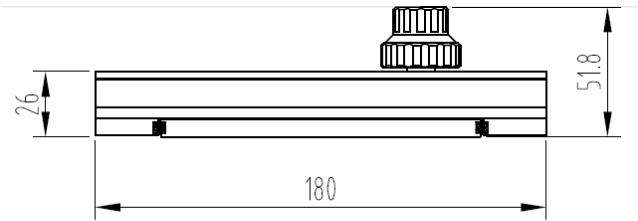


# X-Y Stage

AI 100-010

Features
XY Control with Dual Knob
Clamps for securing slides or other objects

Dimensions (L x W x H, CM)
17.5 x 18 x 5.1
Moving Range (mm)
X: 100, Y: 86
Weight
2.2 Kg
Warranty
1 Year



## Ash Technologies Ltd.

B5, M7 Business Park,  
Naas, Co. Kildare,  
Ireland

P: 00 353 45 882212

F: 00 353 45 882214

[info@ash-vision.com](mailto:info@ash-vision.com)

[www.ash-vision.com](http://www.ash-vision.com)

